

IO-Link / analog converter

AO I 0 ... 20mA, M12, straight

IOL AO-I-STR-0..20mA-UNI

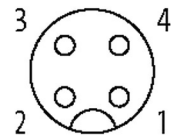
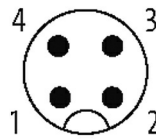
IO-Link V1.1

Connection cables are in the online shop under "Connection Technology".

Illustration

Male

Female



PIN 1: +24 V (L+)

PIN 2: n.c.

PIN 3: GND

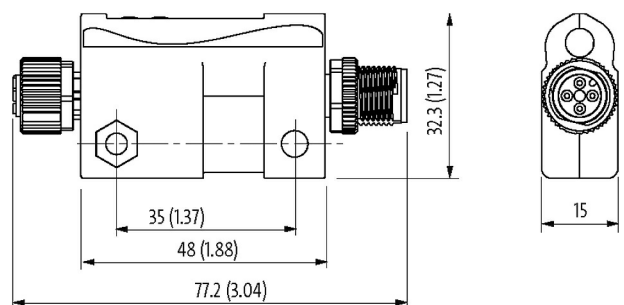
PIN 4: C/Q, IO-Link

PIN 1: +Us

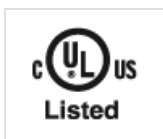
PIN 2: n.c.

PIN 3: GND (Analog Us)

PIN 4: AOUT (U/I)



Product may differ from Image

Approvals**More Info**



Output

Actuator supply UA	24 V DC (EN 61131-2), max. 200 mA
Input range (analog)	0...20 mA
Valency	348 nA
Resolution (analog)	15 Bit + sign
Type	2-, 3-, 4-wire technology
Accuracy	0.10% (25 °C)
Temperature drift	45 ppm/°K
Conversion time (analog)	max. 5 ms
Output filter	yes, mean value formation, parameterizable N = 0...64
Over voltage protection	30 V DC

Connections

IO-Link	M12 (male) 5-pole, A-coded
Analog output	M12 (female) 5-pole, A-coded, shielded

General data

Protection	IP65/IP67
Material (housing)	Plastic
Labeling	Laser labelled
Temperature range	-30...+70 °C (storage temperature -40...+85 °C)
Dimensions H×W×D	32.3×77.2×15 mm

Module supply

Operating voltage	24 V DC (18...30 V DC)
Current consumption	max. 19 mA

IO-Link

Specification	IO-Link V1.1
Operating modes	COM2 (38.4 kbit/s)
Port Class	A
Cycle time	min. 2.3 ms
Data width	16 Bit / 2 Byte
Data format	Siemens S7

Parameterization

Measured value	preset
Diagnostics	lower limit, upper limit, over heated, supply over voltage, supply under voltage, defective device, sensor cable break, sensor supply over current, overrun
lower limit	2 Byte
upper limit	2 Byte
Mean value filter	1 Byte

Protection

Reverse polarity protection module	yes, permanently
Short-circuit protection sensor	yes, permanently
feed back resistance	yes, permanently
Over voltage protection	30 V DC

Diagnostic

Communication status	via LED and IO-Link
----------------------	---------------------

Diagnostic via LED	yes
Diagnostic via IO-Link	yes
Monitoring - limit	yes
Monitoring - temperature	yes
Monitoring - over voltage	yes
Monitoring - under voltage	yes
Underride and overrun	yes

Commercial data

country of origin	DE
customs tariff number	85389099
EAN	4048879588201
eClass	27242601
Packaging unit	1